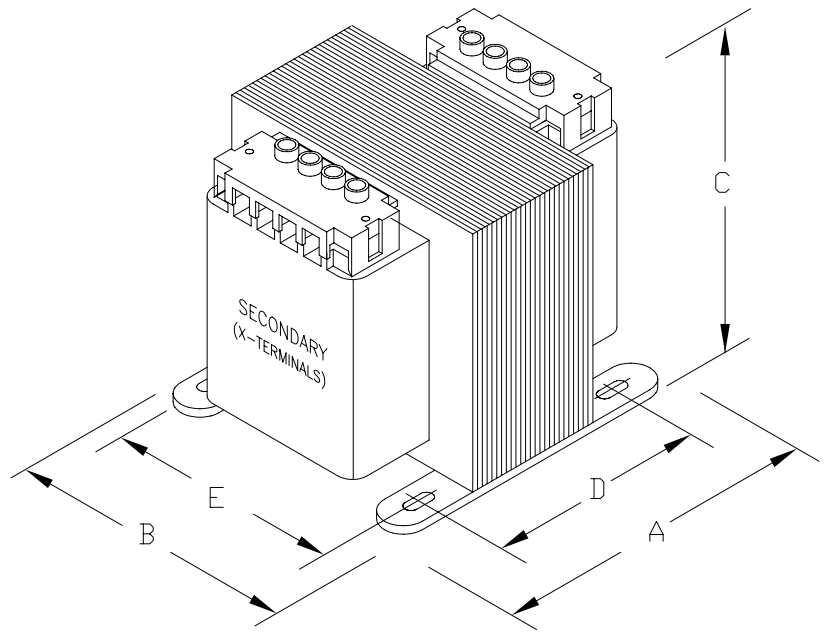


CONNECTION DIAGRAM



PROVIDED WITH SAFE TOUCH TERMINAL COVERS.  
NO INTEGRAL FUSING CAPABILITY.

DIMENSIONS							APPROX. WT. LBS (KG)
	A	B	C	D	E	MTG. SLOTS	
INCHES (MM)	3.38 (86)	3.38 (86)	3.25 (83)	2.20 (56)	2.81 (71)	0.203X0.460 (5.1X11.7)	



CAT.NO. <b>B075-2052-GA</b>		CONST. <b>ENCAPSULATED</b>				UL LISTED	
		MODEL <b>GLOBALTRAN</b>					
<b>RATING</b>							SP CERTIFIED
OUTPUT AMPS	3.13	PRIMARY V	380		TEMP. CLASS	HZ 50/60	
VA	75	SECONDARY V	24		105°C	REVISION <b>G</b>	CE IEC 61558